

PRODUCT INFORMATION PACKET

Model No: 5KH36MNB637X

Catalog No: H926

1/2 HP Carbonator Pump Motor, 1 phase, 1800 RPM, 115 V, 48Y Frame, ODP
Carbonator Pump Motors



Regal and Marathon are trademarks of Regal Beloit Corporation or one of its affiliated companies.
©2020 Regal Beloit Corporation, All Rights Reserved. MC017097E

REGAL



Nameplate Specifications

Output HP	0.50 Hp	Output KW	0.37 kW
Frequency	60 Hz	Voltage	115 V
Current	7.2 A	Speed	1725 rpm
Service Factor	1	Phase	1
Efficiency	66 %	Power Factor	0
Duty	Continuous	Insulation Class	B
KVA Code	N	Frame	48Y
Enclosure	Drip Proof	Thermal Protection	AUTO
Ambient Temperature	40 °C	Drive End Bearing Size	6203
Opp Drive End Bearing Size	6203	UL	Recognized
CSA	Yes	CE	N

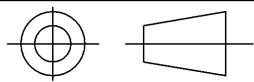
Technical Specifications

Electrical Type	Split Phase	Starting Method	SM
Poles	4	Rotation	Counterclockwise/Clockwise
Mounting	Resilient Base	Motor Orientation	ANY
Drive End Bearing	BALL	Opp Drive End Bearing	Ball
Frame Material	Rolled Steel	Overall Length	8.75 in
Frame Length	6.22 in	Shaft Diameter	0.630 in
Shaft Extension	0.17 in		
Outline Drawing	52A111834P1	Connection Drawing	52A110586

This is an uncontrolled document once printed or downloaded and is subject to change without notice. Date Created:03/11/2020

SHEET 1
REV 1
52A111834

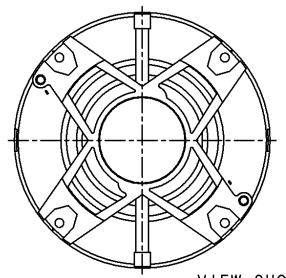
THIRD ANGLE PROJECTION



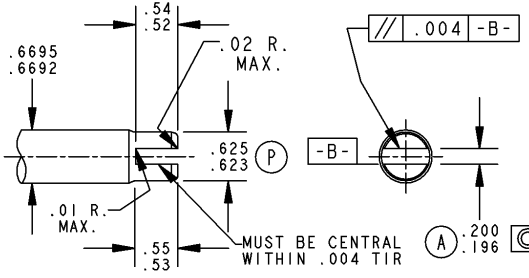
REVISIONS

REV.	DESCRIPTION	DATE	APPROVED
I	ADDED PART# 2 PER ISO7-2678	01/28/08	BOMMU

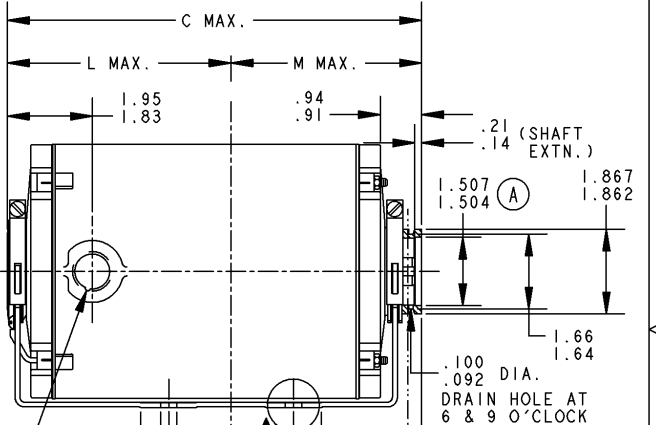
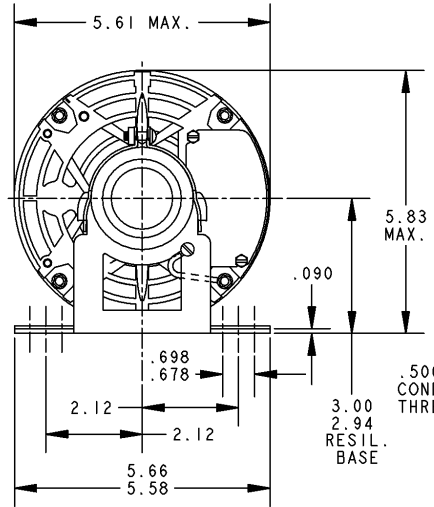
CONTROL SURFACES & DIMENSIONS
 (P) PROC.
 (E) ENG.
 (A) APPL.
 (R) REG.



VIEW SHOWING P.E. VENTILATION OPENINGS



MUST BE CENTRAL WITHIN .004 TIR



VIEW X-X

VIEW X-X

ENLARGED VIEW OF SLOT

2	KH	37	48Y	9.15	5.01	4.28
I	KH	36	48Y	8.75	4.61	4.28
P	TYPE	RBC SIZE	NEMA FR	C	L	M

SIGNATURES DATE

MODEL	VINAY	12/10/07
DETAIL	.	.
CHECKED	.	.
ENGRG	.	.
MFG	.	.

FOR ADDITIONAL INFO REFER TO:
 APPLIED PRACTICES
 DIMENSIONS ARE IN INCHES

QUALITY	.	.
ISSUED	VINAY	12/10/07

MATERIAL SOLID MODEL: 52A111834



REGAL-BELOIT CORPORATION

TITLE
OUTLINE
CARBONATOR PUMP - DRIP PROOF
RESIL. BASE - BALL BRG.

SIZE DRAWING
 A

52A111834 REV 1

SCALE: 1.000 REF. No: .

SHEET 1 of 1

